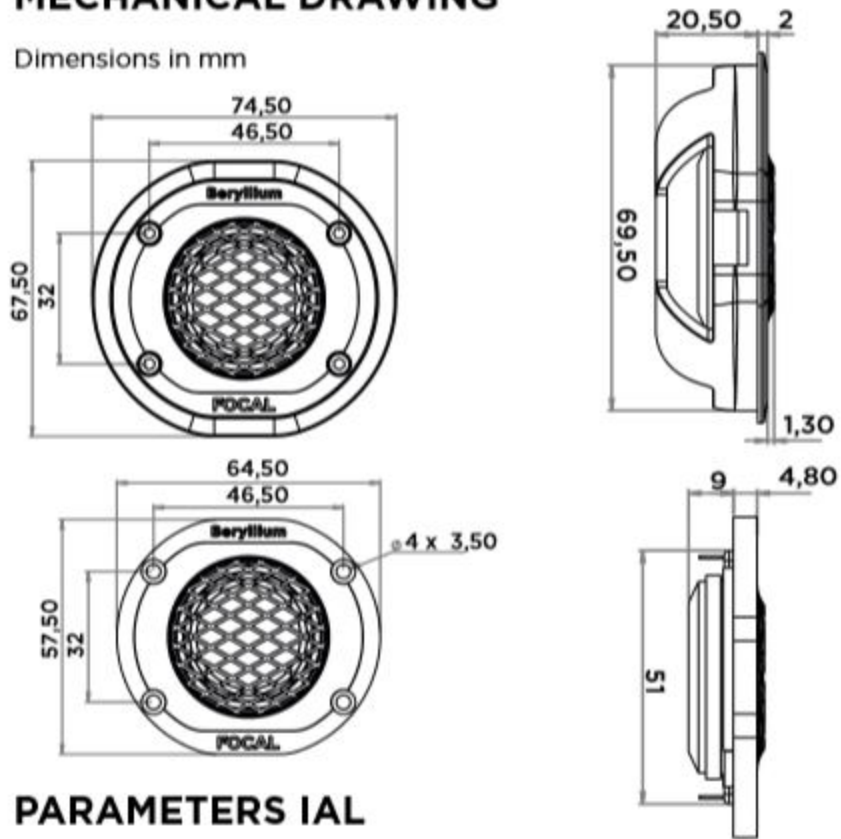


MECHANICAL DRAWING

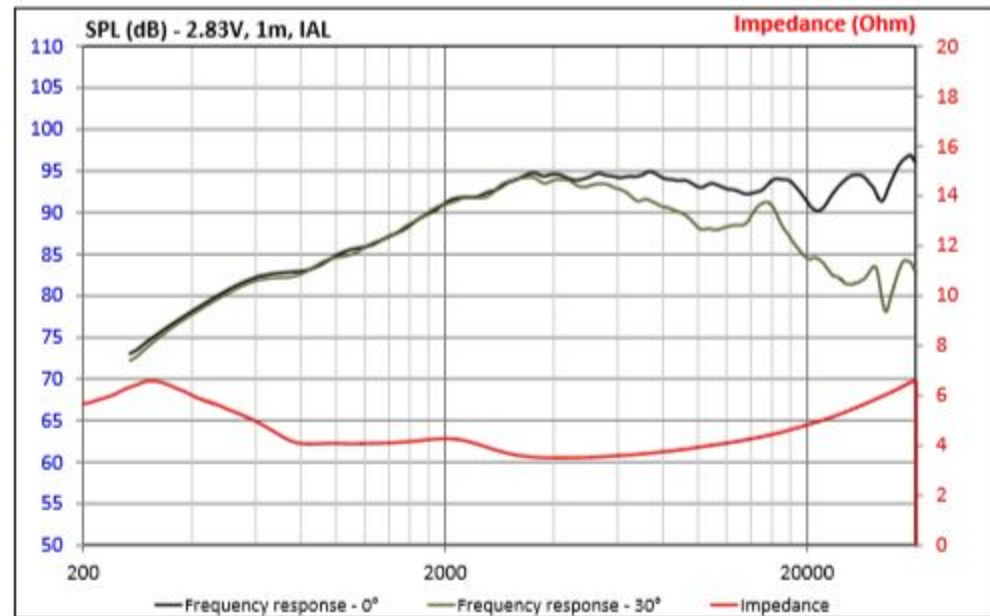
Dimensions in mm



PARAMETERS IAL

Rdc	4Ω
Fs	280Hz

FREQUENCY RESPONSE



SPECIFICATIONS

Nominal power	20W
Maximum power	200W
Sensitivity (2.83V/1m)	95dB
Nom. impedance	4Ω
Cone	Beryllium 'M'-shape
Surround	Rubber, TMD
DC resistance	4Ω
VC diameter	25mm 1"
Former	Kapton
Layers	2
Wire	Alu
Net weight	120g 0.2lbs

PARAMETERS SMALL VOLUME

Rdc	4Ω
Fs	1,550Hz

FREQUENCY RESPONSE

